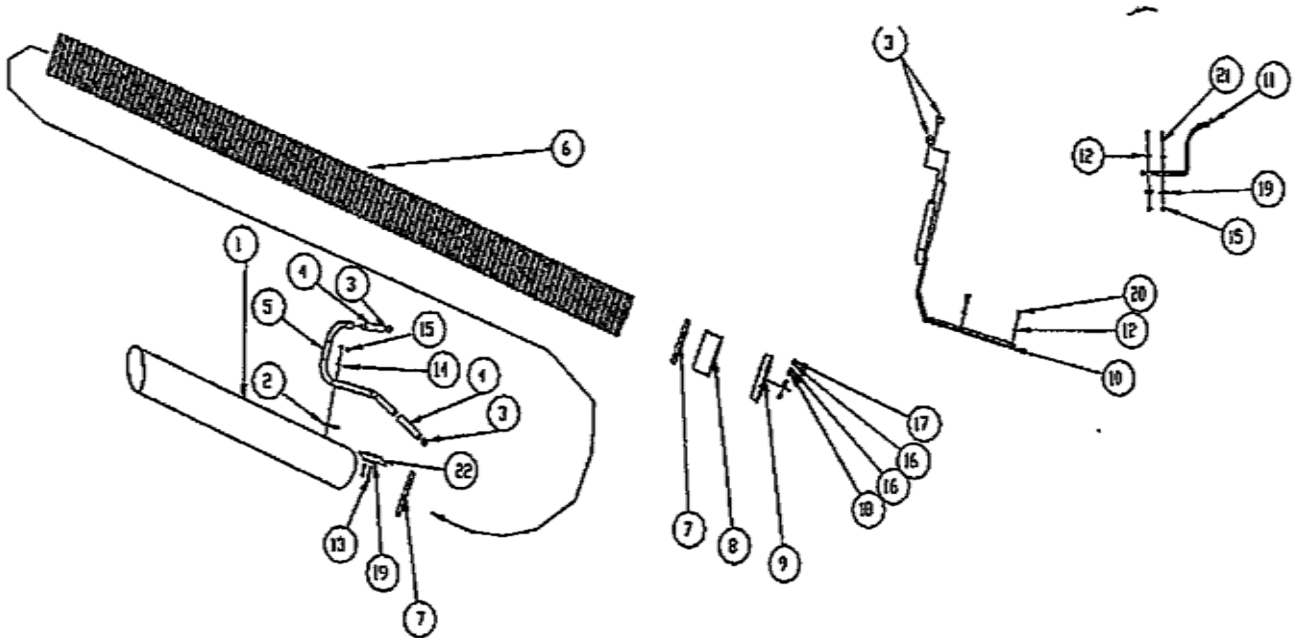
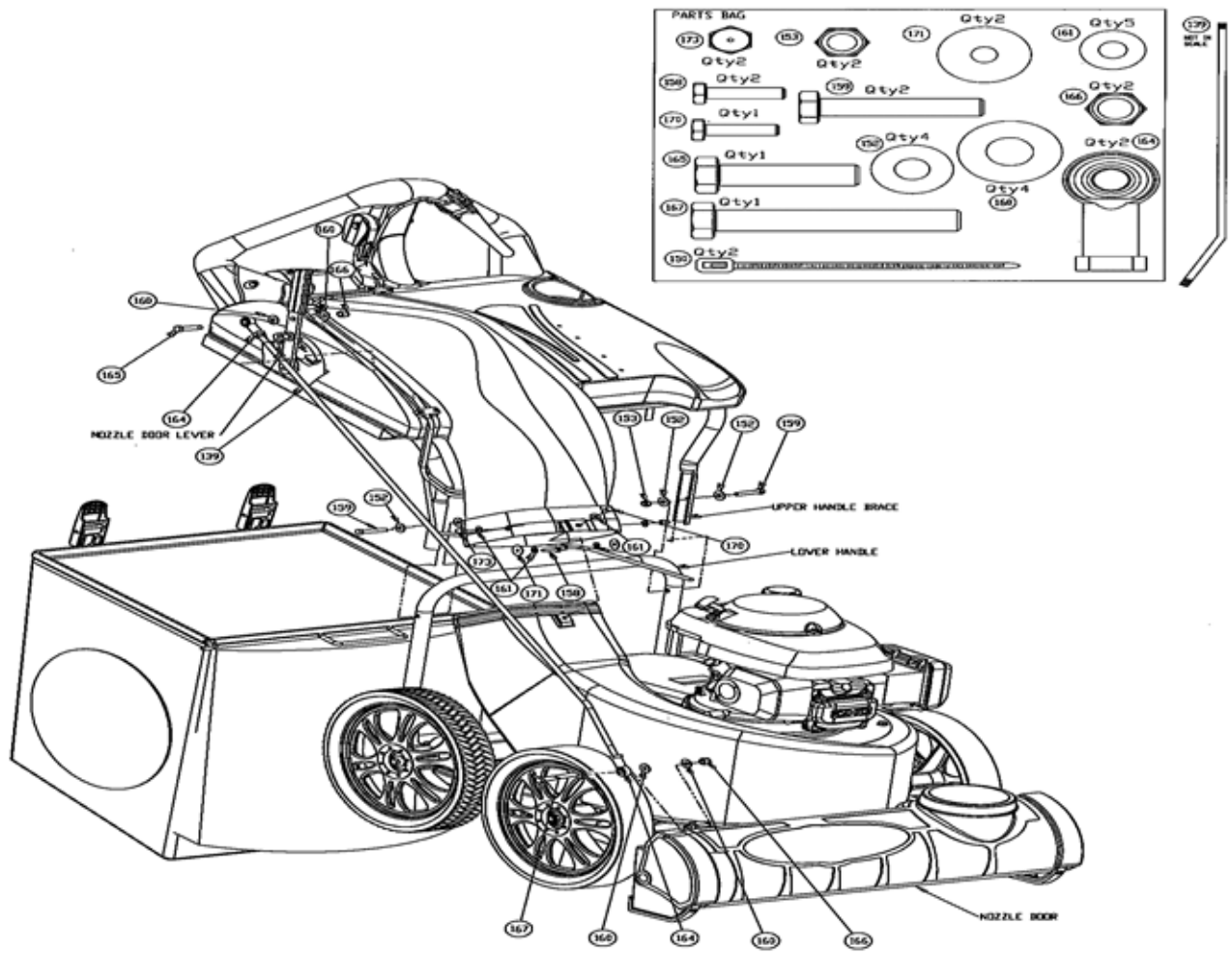


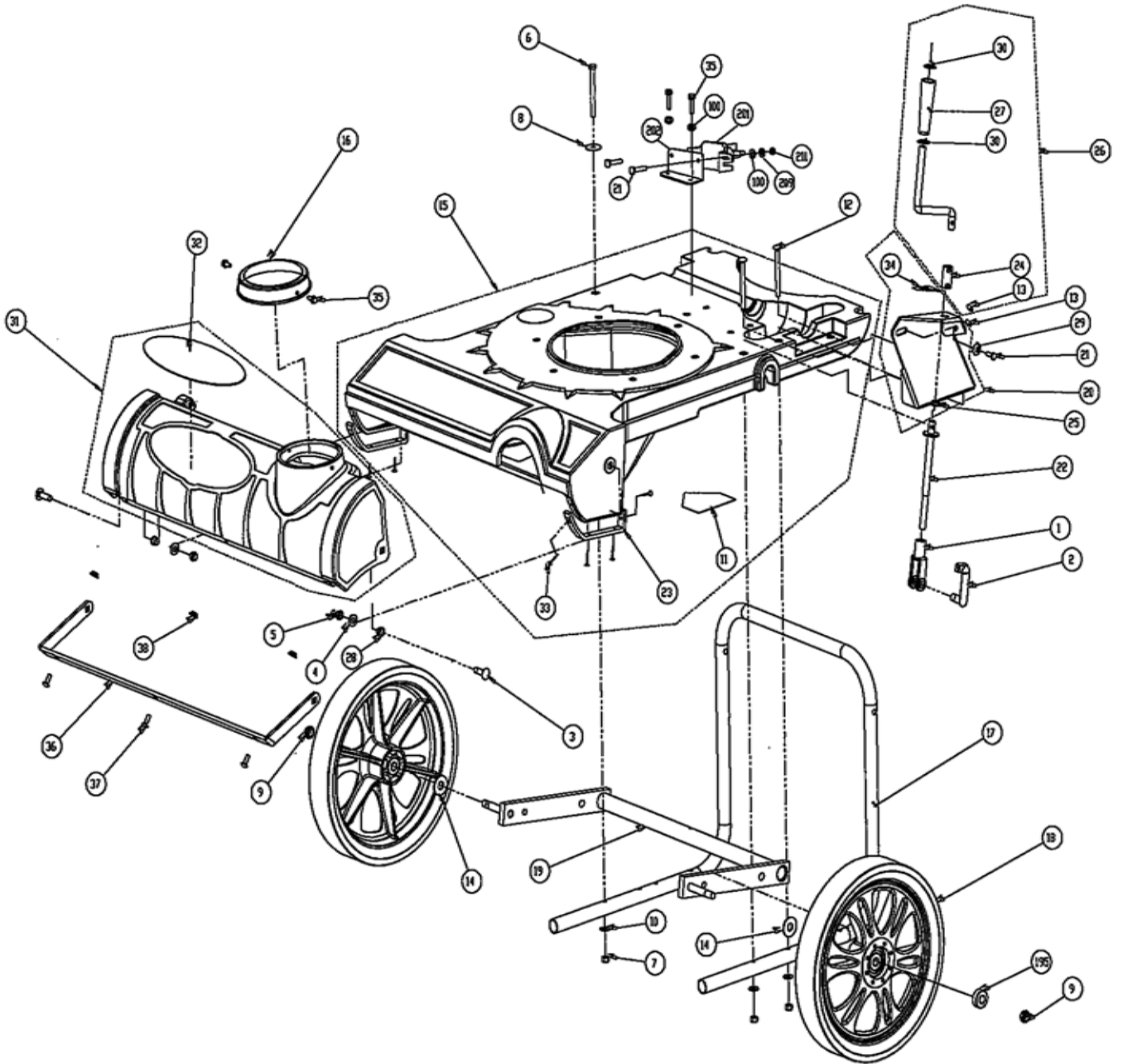
**IMAGE NOT AVAILABLE**



表示 番号	新宮品番	LV	部品名称	個数1	個数2	個数3	個数4	メーカー品番	備考
1			TUBE, PLASTIC 5 IN x40 IN LONG	1				840182	
2			BRACKET HOSE KIT 5" HANDLE MV	1				840192	
3			PLUG TUBE INSERT 1"	4				890132	
4			GRIP HANDLE 1"x5.5"	2				500267	
5			TUBE HOSE KIT 5" HANDLE MV	1				840193	
6			HOSE 5"x87"	1				840075	
7			CLAMP HOSE 5"	2				800279	
8			TUBE 5" STEEL HOSE SWIVEL ADAPTER	1				840156	
9			CAP 5" HOSE TRIMMED OUT	1				840019-1	
10			BRACKET HOSE REST WA MV VAC	1				840174	
11			BRACKET HOSE REST HOOD MV VAC	1				840093	
12			WASHER 1/4" SAE ZP	4				8172007	
13			SCREW SOCKET BUTTON HEAD 1/4- 20x3/4"	2				840199	
14			WASHER 1/4" FC ZP	2				8171002	
15			NYLON INSERT LOCKNUT 1/4-20 UNC	4				8160001	
16			WASHER #10 SAE ZP	4				8172005	
17			NYLON INSERT LOCKNUT 10-24 UNF	2				8164005	
18			SCREWCAP #10-24x3/4" WF ZP	2				8059136	
19			WASHER FENDER 1/4 ZP	2				8172019	
20			1/4-20x0.75 HWH	2				8041004	
21			SCREWCAP 1/4"-20x1" HCS ZP	2				8041006	
22			PLATE HOSE KIT NOZZLE REINFORCEMENT	1				840143	



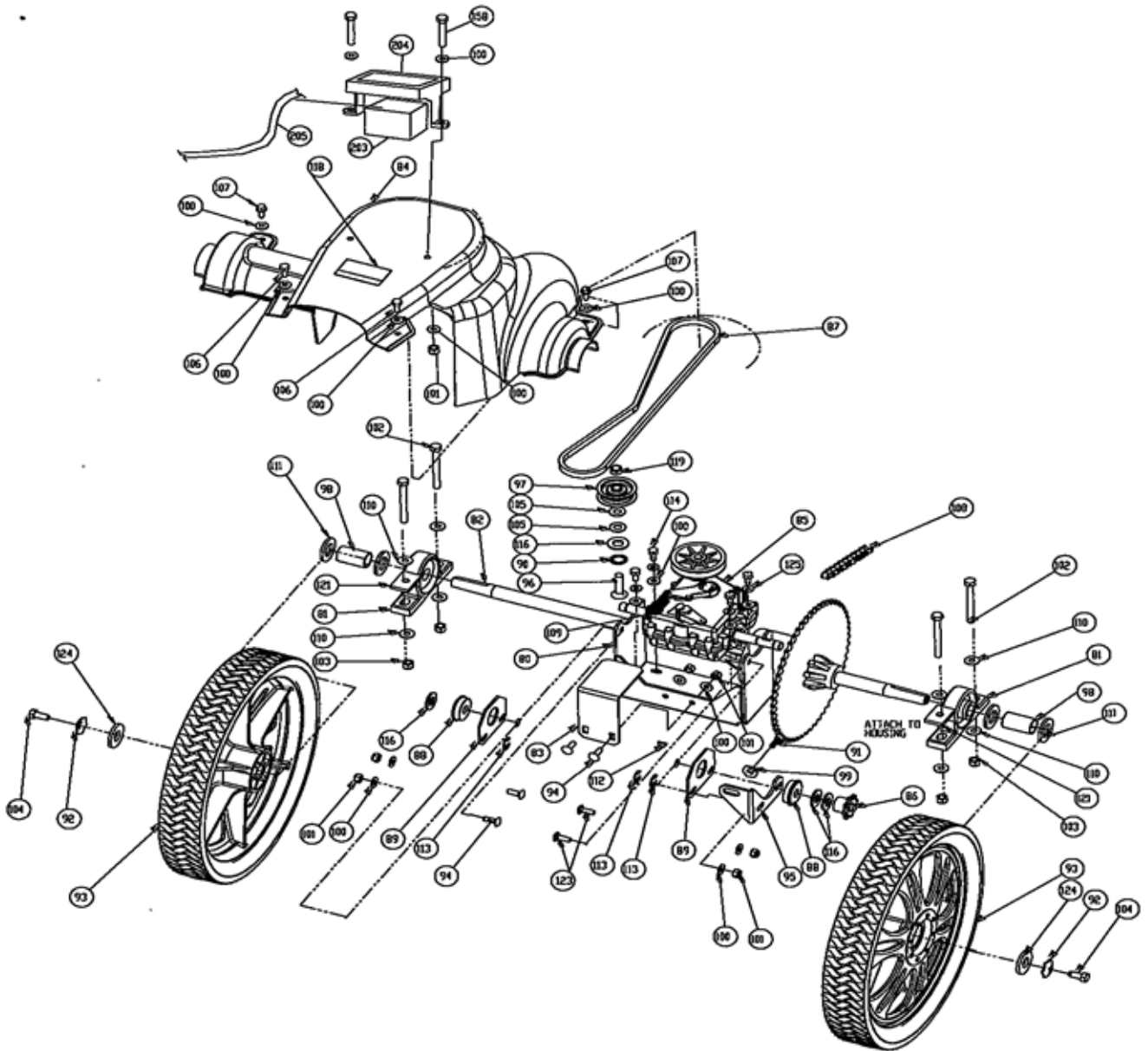
表示 番号	新宮品番	LV	部品名称	個数1	個数2	個数3	個数4	メーカー品番	備考
139			ROD LIFT NOZZLE DOOR	1				840061	
150			TY-WRAP	2				900407	
152			WASHER 5/16 FLATWASHER Z/P	4				8171003	
153			LOCKNUT 5/16-18	2				8160002	
158			SCREWCAP 1/4-20 X 1" ZP	2				8041006	
159			SCREWCAP 5/16-18X1.75 ZP	2				8041031	
160			WASHER 3/8 FC	4				8171004	
161			WASHER 1/4 SAE ZP	5				8172007	
164			ROD END BALL JOINT 3/8 NF	2				400886	
165			SCREW CAP 3/8 -16 X 1 1/2 ZP	1				8041052	
166			LOCKNUT 3/8-16	2				8160003	
167			SCREWCAP 3/8"-16 X 2 1/2" ZP	1				8041056	
170			SCREWCAP 1/4"-20 X 3/4" HCS ZP	1				8041004	
171			WASHER, FENDER, 1/4 ZP	2				8172019	
173			NUT ACORN 1/4-20	2				840071	



表示 番号	新宮品番	LV	部品名称	個数1	個数2	個数3	個数4	メーカー品番	備考
1			YOKE 1/2-20	1				350127	
2			PIN YOKE 1/2"	1				350128	
3			SCREWCAP BUTTON HEAD 3/8"-16X 1 1/4" PL	2				840243	
4			WASHER 3/8"SAE ZP	2				8172009	
5			NUT LOCK 3/8-16 LT WT THIN ZP	2				8161042	
6			SCREWCAP 5/16-18 X 3 1/2	1				8041038	
7			NYLON INSERT LOCKNUT 5/16-18 UNC	3				8160002	
8			WASHER FLAT FENDER 5/16	1				8172020	
9			NYLON INSERT LOCKNUT 1/2-13 UNC THIN	2				8161044	
10			WASHER 1/4" FC ZP	3				8171002	
11			LABEL WARNING OPEI	1				400424	
12			BOLTCARRIAGE 5\16-18 X3 1\2	2				8024050	
13			ROLL PIN 1/4 X 1 LONG	2				520156	
14			WASHER 1/2" SAE ZP	2				8172011	
15			NOZZLE MV VAC ASSEMBLY	1				840118	
16			CAP 5 IN HOSE VAC	1				840019	
17			HANDLE LOWER MV VAC	1				840024	
18			WHEEL 14" ASSEMBLY WITH BEARING AND TIRE	2				840101	
19			AXLE FRONT WA MV VAC	1				840104	
20			BRACKET HGT ADJ WA W/LABEL MV VAC	1				840155	
21			SCREWCAP 1/4-20 X 0.75 HWH	1				8041004	
22			LINK HGT ADJ MV VAC	1				840034	
23			BRACKET NOZZLE WEAR GUARD MV VAC	2				840041	
24			ROD CONNECT HGT ADJ	1				840029	
25			BUSHING 0.5" ID 0.625 OD XX 0.250	1				840073	
26			ROD HANDEL CRANK ASSEMBLY	1				840119	
27			HANDEL CRANK 0.5 ID X 3.72 LONG	1				840057	
28			BUSHING 3/8"ID 1/2" OD X 3/8" LONG	2				840078	
29			WASHER LOCK 1/4" TWISTED TOOTH	1				840158	
30			NUT PAL 0.5" ID X 0.75 OD	2				840207	
31			NOZZLE COVER MV VAC	1				840135	
32			LABEL PRODUCT DECAL MV	1				840055	
33			SCREW PLASTIC 5/8	8				840035	
34			LABEL HGT ADJ MV VAC	1				840054	
35			SCREW SELF-TAP 5/16 NC X 3/4 HEX	2				8122082	

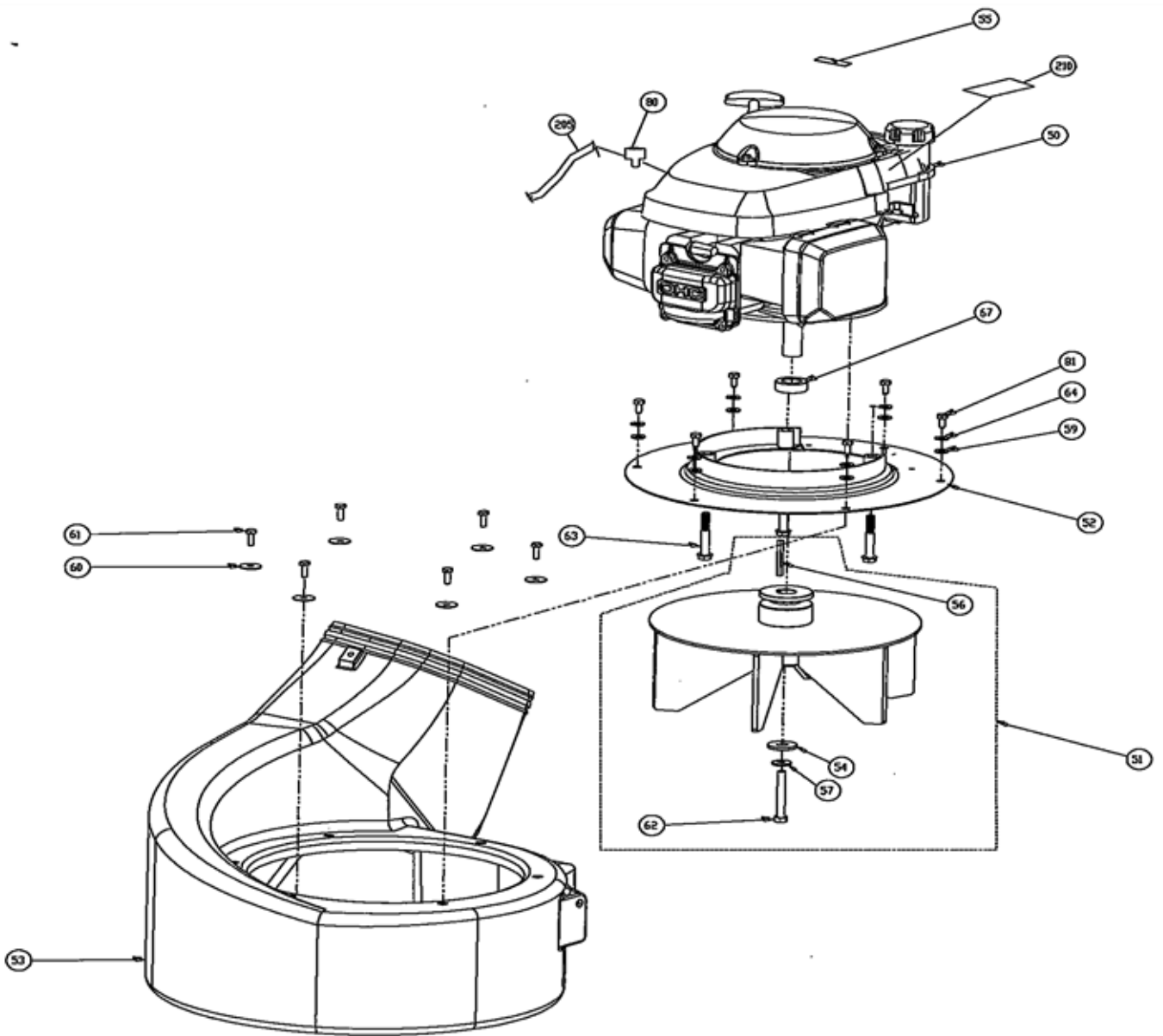
表示 番号	新宮品番	LV	部品名称	個数1	個数2	個数3	個数4	メ-カ品番	備考
36			BRACKET NOZZLE COVER REINFORMENT MV	1				840088	
37			BOLT CARRIAGE 1/4-20X 0.75	3				8024021	
38			NUT FLANGE 1/4-20	3				900455	
100			WASHER 1/4" SAE ZP	-				8172007	
195			MV WHEEL BEARING	2				840017	
201			SOLENOID ELEC START	-				840117	
202			BRACKET SOLENOID MOUNT MV	-				840198	
209			WASHER LOCK 1/4" EXT TOOTH	-				8181007	
211			NUT 1/4" FIN HEX ZP	-				8142001	



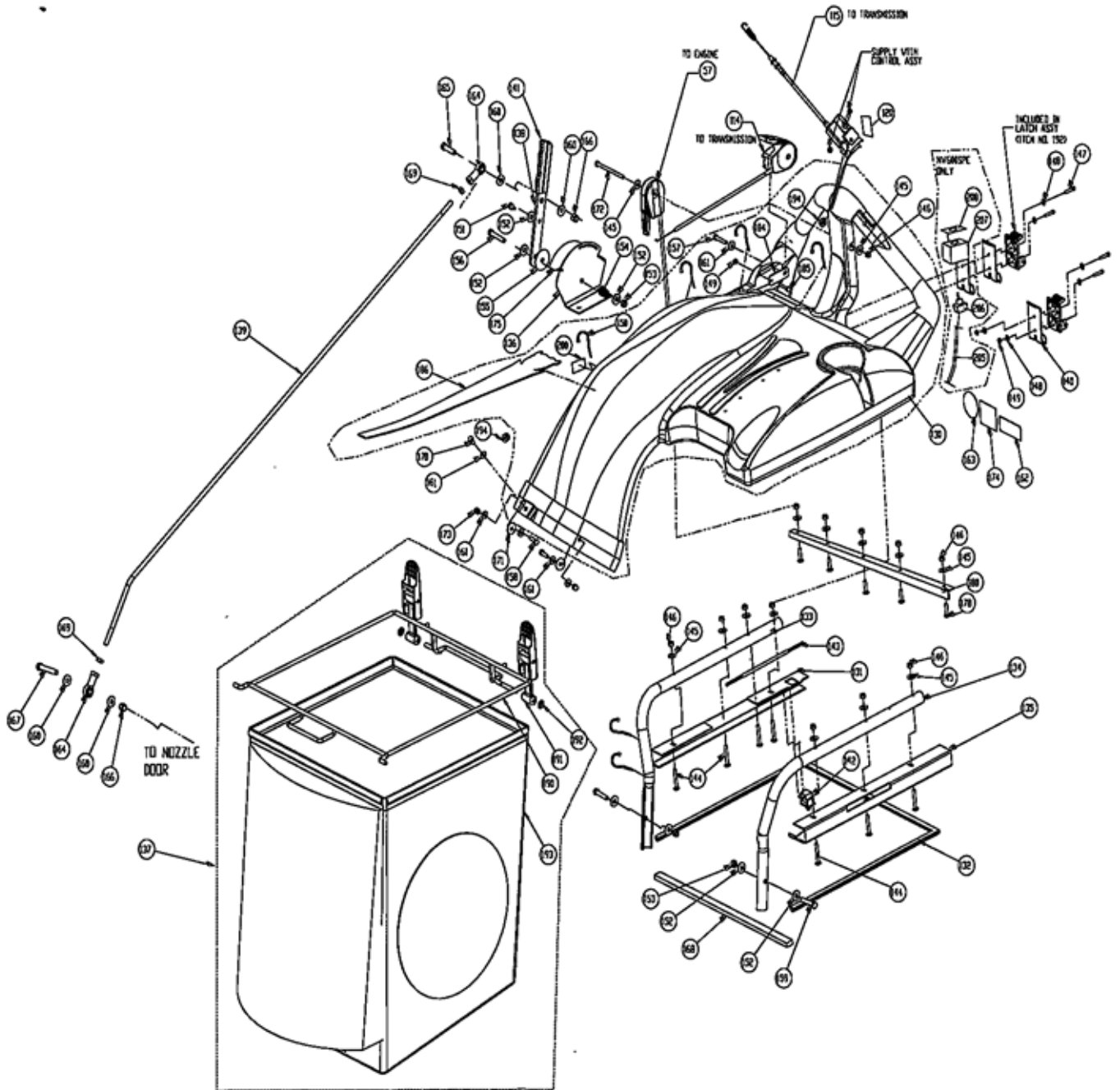


表示 番号	新宮品番	LV	部品名称	個数1	個数2	個数3	個数4	メ-カ品番	備考
80			BRACKET TRANS MOUNT WA MV VAC	1				840110	
81			BEARING 3/4" W/PILLOW BLOCK	2				350133	
82			DIFFERENTIAL 54 TOOTH D-CUT	1				840009	
83			BRACKET TRANS ANTI ROTATION MV	1				840086	
84			GUARD DRIVE SP VAC	1				840010	
85			TRANSMISSON 3 SPD GENERAL TRANS.	1				840085	
86			SPROCKET 8 TOOTH	1				510126	
87			BELT 3L34	1				840066	
88			BEARING 1/2"CLIP	2				510125	
89			PLATE TRANS BEARING MOUNT MV VAC	2				840011	
90			WASHER LOCK INTERNAL TOOTH 1/2"	1				520025	
91			1/4-20 X 0.75 HWH	1				8041004	
92			WASHER 5/16 LOCK TWISTED TOOTH	2				430298	
93			WHEEL 14"ASSEMBLY DRIVE MV VAC	2				840102	
94			BOLT CARRIAGE 1/4-20 X 0.75	4				8024021	
95			BRACKET TRANS REINFORCE MV VAC	1				840028	
96			CARRIAGE BOLT 3/8-16 X 1 1/2	1				8024060	
97			PULLEY IDLER 2" OD X 3/8"ID	1				840087	
98			TUBE 0.75 ID WHEEL SPACER SP MV VAC	1				840027	
99			WASHER LOCK 1/4 TWISTED TOOTH	1				840158	
100			WASHER 1/4" SAE ZP	14				8172007	
101			NYLON INSERT LOCKNUT 1/4-20 UNC	6				8160001	
102			SCREWCAP 5/16"-18 X 3"HCS ZP	4				8041036	
103			NYLON INSERT LOCKNUT 5/16-18 UNC	4				8160002	
104			SCREWCAP 5/16"-18 X 3/4"LONG ZP	2				8041026	
105			WASHER 3/8"SAE ZP	2				8172009	
106			1/4-20X 5/8 HWH	2				890359	
107			SCREW SELF-TAP 5/16 NC X 3/4 HEX	2				8122082	
108			CHAIN #41 X 42 PITCH	1				840072	
109			SPRING TENSION	1				800242	
110			WASHER 1/4"FC ZP	8				8171002	
111			WASHER 3/4" SAE ZP	2-6				8172015	
112			WOODRUFF KEY 1/8 X 1/2	1				510180	
113			CLIP 1/2"	3				350146	
114			SCREWCAP 1/4-20 X5/8 GR. 5	4				840213	
116			WASHER 1/2" FLAT CUT	3				8171006	
118			LABEL DANGER GUARD	1				900327	
119			NUT LOCK 3/8-16 LT WT THIN ZP	1				8161042	
121			BRACKET BEARING FIX	2				840188	
123			CARRIAGE BOLT 1/4-20 X 1 ZP	2				8041022	

表示 番号	新宮品番	LV	部品名称	個数1	個数2	個数3	個数4	メ-カ品番	備考
124			WASHER FENDER 5/16	2				8172020	
125			SPLIT LOCK WASHER 1/4"	4				8177010	
158			SCREWCAP 1/4"-20 X 1"HCS ZP	-				8041006	
195			MV WHEEL BEARING	2				840017	
203			BATTERY 12 V	-				804170	
204			BATTR HOLD DOWN	-				840095	
205			CABLE HARNES ELECTRIC START ONE PIECE	-				840228	



表示 番号	新宮品番	LV	部品名称	個数1	個数2	個数3	個数4	メーカー品番	備考
50			ENGINE HONDA 6.5 VERTICAL GSV190	1				840069	
			ENGINE BRIGGS 6 ELEC START	-				840239	
51			IMPELLER ASSEMBLY SP MV VAC	1				840136	
52			PLATE TOP WA SP MV VAC	1				840107	
53			HOUSING PLASTIC VAC	1				840205	
54			WASHER 1.5 OD×.453 ID×.25 THK	1				440153	
56			SQ KEY 2.125×.187	1				9201087	
57			WASHER LOCK 3/8" ST MED	1				8177012	
59			WASHER 1/4" SAE ZP	6				8172007	
60			WASHER FENDER 1/4 ZP	6				8172019	
61			SCREWCAP 1/4-20×0.75 HWH	6				8041004	
62			SCREWCAP 3/8-24×2 3/4"W/PATCH LOCK	1				790167	
63			SCREWCAP 3/8"-16×2 1/2" TAPTITE	3				900564	
64			WASHER SPLIT LOCK1/4"	6				8177010	
67			SPACER 1.50OD×.890ID×.5THK	1				840083	
80			TERMINAL 18-14 BLUE T-TAP	1				840215	
81			SCREWCAP 1/4-20×5/8 GR.5	6				840213	
205			CABLE HARNESS ELECT START	-				840228	
210			LABEL WARNING FUEL EN/SP	-				100261	



表示 番号	新宮品番	LV	部品名称	個数1	個数2	個数3	個数4	メーカ品番	備考
57			CONTROL THROTTLE WESCON MV VAC	1				840045	
114			CONTROL SHIFT WESCON MV VAC	1				840023	
115			CONTOL LEVER ASSY CLUTCH SP VAC	1				840063	
120			LABEL CLUTCH DRIVE	1				500176	
130			HOOD ASSY W/LABEL MV VAC	1				840141	
131			BRACKET BAG CHANNEL RH W/SEAL MV VAC	1				840153	
132			SEAL BAG MV VAC	1				840196	
133			TUBE HANDLE BRACE RH MV VAC	1				840037	
134			TUBE HANDLE BRACE LH MV VAC	1				840038	
135			BRACKET BAG CHANNEL RH W/SEAL MV VAC	1				840154	
136			BRACKET NOZZLE DOOR ADJ W/LABEL MV VAC	1				840152	
137			BAG ASSEMBLY MV VAC	1				840195	
138			BAR LIFT NOZZLE DOOR W/GRIP MV VAC	1				840138	
139			ROD LIFT NOZZLE DOOR SP VAC	1				840061	
140			PLATE BAG LATCH MV VAC	2				840062	
141			GRIP LEVER LIFT	1				840191	
142			SWITCH INTERLOCK VAC	1				840058	
143			HARNES WIRE ASSY MV VAC	1				840077	
144			BOLT CARRIAGE 1/4-20 X 1.75	7				8024025	
145			WASHER 1/4"FC ZP	14				8171002	
146			NYLON INSERT LOCKNUT 1/4-20 UNC	13				8160001	
147			SCREW HEX HEAD #10-24 X 1"	4				520018	
148			WASHER #10 SAE ZP	8				8172005	
149			NYLON INSERT LOCKNUT 10-24 UNC	4				8164005	
150			Ty-Wrap	6				900407	
151			PIN SCREW 1/4-28	1				610347	
152			WASHER 5/16 FLATWASHER Z/P	7				8171003	
153			NYLON INSERT LOCKNUT 5/16-18 UNC	3				8160002	
154			SPRING LEVER GZ	1				610429	
155			FIBRE WASHER	1				610348	
156			SCREWCAP 1/4"-20X2"	1				8041032	
157			SCREWCAP 1/4"-20X2 1/4"ZP	1				8041011	
158			SCREWCAP1/4-20X1" ZP	2				8041006	
159			SCREWCAP 5/16-18 X 1.75 ZP	2				8041031	
160			WASHER 3/8 FC	4				8171004	
161			WASHER 1/4" SAE ZP	6				8172007	
162			LABEL EAR EYE BREATHING	1				890254	

表示 番号	新宮品番	LV	部品名称	個数1	個数2	個数3	個数4	メーカー品番	備考
163			LABEL READ	1				890301	
164			ROD END BALL JOINT 3/8 NF	2				400886	
165			SCREW CAP 3/8-16X1 1/2 ZP	1				8041052	
166			NYLON INSERT LOCKNUT 3/8-16 UNC	2				8160003	
167			SCREW CAP 3/8"-16X2 1/2" ZP	1				8041056	
168			SEAL BAG FRONT HOOD 20.5 LONG	1				840197	
169			NUT REG 3/8-24 NF	2				8149003	
170			SCREWCAP 1/4"-20X3/4" HCS ZP	1				8041004	
171			WASHER FENDER 1/4 ZP	2				8172019	
172			SCREWCAP 1/4"-20X4" HCS ZP	1				8041018	
173			NUT ACORN 1/4-20	2				840071	
174			LABEL DANGER FLYING DEBRIS	1				810736	
175			LABEL NOZZLE DOOR MV VAC	1				840080	
178			BOLT CARRIAGE 1/4-20 X 3/4"	5				8024021	
180			BRACKET HOOD FRONT STRAIGHTENER	1				840214	
184			PLATE SHIFT CONTROL AN TI ROT	1				840180	
185			SCREWCAP #10-24X1 1/4"	1				8059140	
186			LABEL HOOD DECAL	1				840179	
190			ROD BAG WA MV VAC	1				840040	
191			LATCH RUBBER ASSEMBLY MV VAC	2				840139	
192			PAL NUT 0.312	2				360203	
193			BAG DEBRIS MV VAC	1				840189	
194			GROMMET RUBBER 5/8" ODX3/8" ID	2				840206	
200			LABEL MADE IN U.S.A.	1				520116	
205			CABLE HARNESS ELECT START	-				840228	
206			SWITCH	-				500307	
207			BRACKET START SEITCH MV VAC	-				840096	
208			LABEL START STOP EN/SP	-				100262	