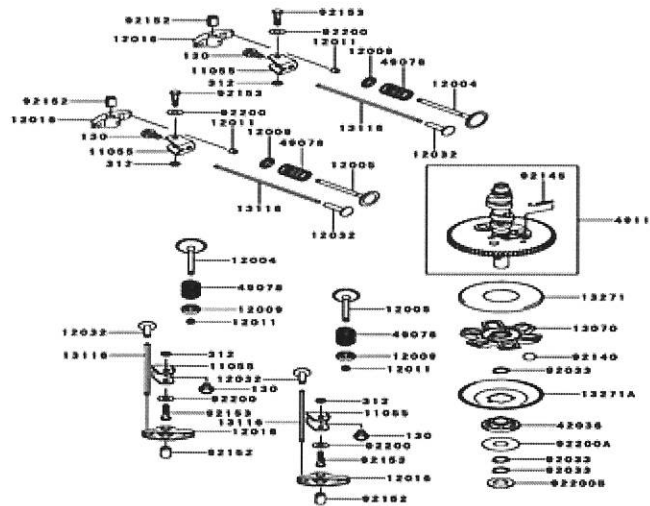


Kawasaki FR691V-AS17 Valve/Camshaft



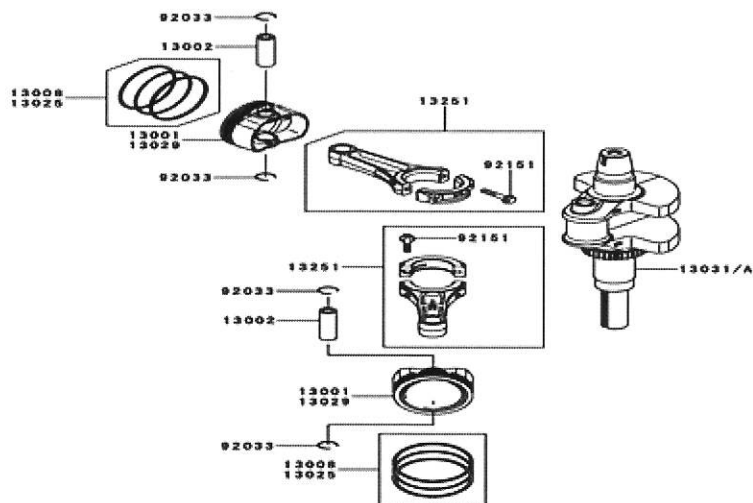
| Ref. | Part Number | Description | Ref. | Part Number | Description |
|--------|---------------|----------------------|--------|---------------|--------------------------|
| 11055 | KM-11055-7009 | Bracket | 4907B | KM-4907B-7002 | Engine Valve Spring, IN |
| 12004 | KM-12004-0705 | Intake Valve | 4911B | KM-4911B-7022 | Complete Camshaft |
| 12005 | KM-12005-0720 | Exhaust Valve | 92033 | KM-92033-7001 | Snap Ring |
| 12009 | KM-12009-7001 | Valvespring Retainer | 92140 | KM-92140-7005 | Ball |
| 12011 | KM-12011-2056 | Collet | 92145 | KM-92145-7001 | Spring |
| 12016 | KM-12016-2066 | Rocker Arm | 92152 | KM-92152-1689 | Collar |
| 12032 | KM-12032-7001 | Tappet | 92153 | KM-92153-7100 | Bolt, 6 X 29.5 |
| 13070 | KM-13070-7017 | Governor Guide | 92200 | KM-92200-2151 | Washer, 8.1 X 18 X 0.5 |
| 13116 | KM-13116-7007 | Push Rod | 92200A | KM-92200-7009 | Washer, 16 X 42 X 0.91 |
| 13271 | KM-13271-7007 | Plate | 92200B | KM-92200-7048 | Washer, 16.3 X 30 X 2.28 |
| 13271A | KM-13271-7021 | Governor Plate | 130 | KM-130AA0814 | Flanged Bolt, 8 X 14 |
| 42036 | KM-42036-7021 | Sleeve | 312 | KM-312AA0600 | Hex Nut, 6mm |

更新日：2023-01-16 印刷日付：2023-03-31

| 表示 番号 | 新宮品番 | LV | 部品名称 | 個数1 | 個数2 | 個数3 | 個数4 | メ-カ品番 | 備考 |
|------------|------|----|--------------------------|-----|-----|-----|-----|---------------|----|
| 11055 | | | Bracket | 1 | | | | KM-11055-7009 | |
| 12004 | | | Intake Valve | 1 | | | | KM-12004-0705 | |
| 12005 | | | Exhaust Valve | 1 | | | | KM-12005-0720 | |
| 12009 | | | Valvespring Retainer | 1 | | | | KM-12009-7001 | |
| 12011 | | | Collet | 1 | | | | KM-12011-2056 | |
| 12016 | | | Rocker Arm | 1 | | | | KM-12016-2066 | |
| 12032 | | | Tappet | 1 | | | | KM-12032-7001 | |
| 13070 | | | Governor Guide | 1 | | | | KM-13070-7017 | |
| 13116 | | | Push Rod | 1 | | | | KM-13116-7007 | |
| 13271 | | | Plate | 1 | | | | KM-13271-7007 | |
| 13271 A | | | Governor Plate | 1 | | | | KM-13271-7021 | |
| 42036 | | | Sleeve | 1 | | | | KM-42036-7021 | |
| 49078 | | | Engine Valve Spring, IN | 1 | | | | KM-49078-7002 | |
| 49118 | | | Complete Camshaft | 1 | | | | KM-49118-7022 | |
| 92033 | | | Snap Ring | 1 | | | | KM-92033-7001 | |
| 92140 | | | Ball | 1 | | | | KM-92140-7005 | |
| 92145 | | | Spring | 1 | | | | KM-92145-7001 | |
| 92152 | | | Collar | 1 | | | | KM-92152-1689 | |
| 92153 | | | Bolt, 6 X 29.5 | 1 | | | | KM-92153-7100 | |
| 92200 | | | Washer, 8.1 X 18 X 0.5 | 1 | | | | KM-92200-2151 | |
| 92200 A | | | Washer, 16 X 42 X 0.91 | 1 | | | | KM-92200-7009 | |
| 92200 B | | | Washer, 16.3 X 30 X 2.28 | 1 | | | | KM-92200-7048 | |
| 130 | | | Flanged Bolt, 8 X 14 | 1 | | | | KM-130AA0814 | |
| 312 | | | Hex Nut, 6mm | 1 | | | | KM-312AA0600 | |

更新日：2015-06-18 印刷日付：2023-03-31

Kawasaki FR691V-AS17 Piston/Crankshaft

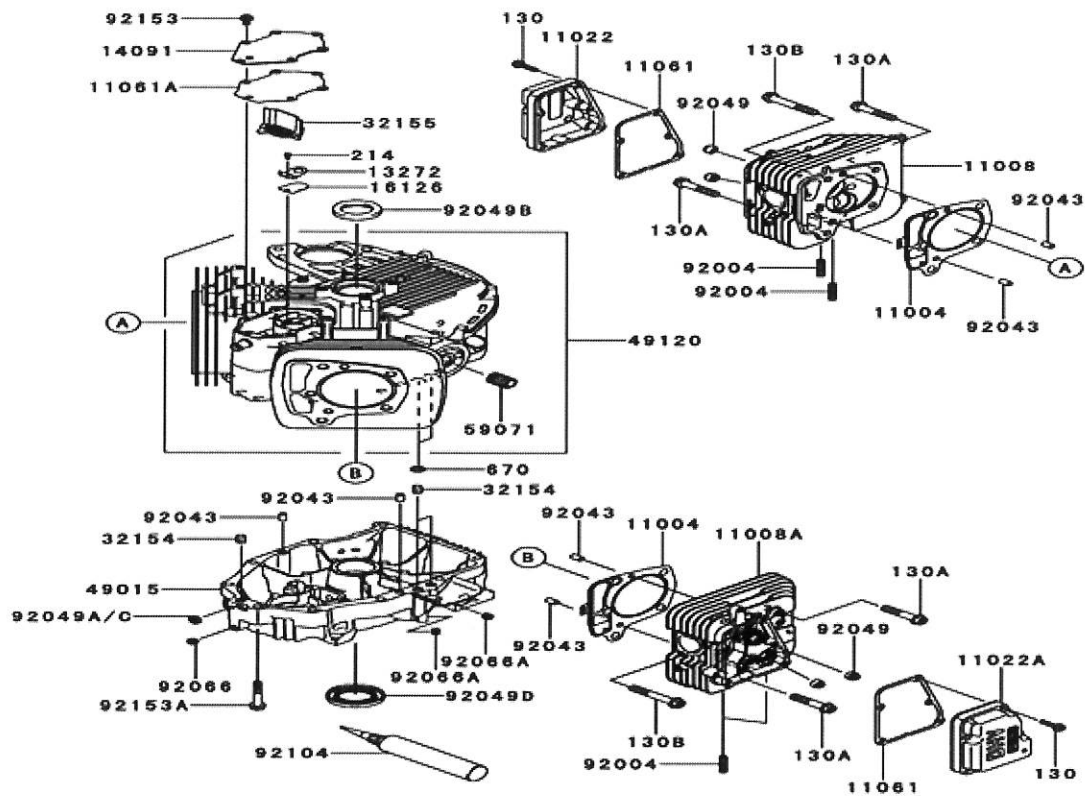


| Ref. | Part Number | Description |
|--------|---------------|-------------------------|
| 13001 | KM-13001-7027 | Engine Piston |
| 13002 | KM-13002-0704 | Piston Pin |
| 13008 | KM-13008-7005 | Piston Ring Set |
| 13025 | KM-13025-7009 | Piston Ring Set, L .0.5 |
| 13029 | KM-13029-7010 | Engine Piston, L, 0.5 |
| 13031 | KM-13031-0747 | Complete Crankshaft |
| 13031A | KM-13031-0747 | Complete Crankshaft |
| 13251 | KM-13251-7025 | Connecting Rod Assembly |
| 92033 | KM-92033-7018 | Snap Ring |
| 92151 | KM-92151-7017 | Bolt, 6 X 35 |

更新日：2023-01-16 印刷日付：2023-03-31

| 表示 番号 | 新宮品番 | LV | 部品名称 | 個数1 | 個数2 | 個数3 | 個数4 | メーカー品番 | 備考 |
|------------|------|----|-------------------------|-----|-----|-----|-----|---------------|----|
| 13001 | | | Engine Piston | 1 | | | | KM-13001-7027 | |
| 13002 | | | Piston Pin | 1 | | | | KM-13002-0704 | |
| 13008 | | | Piston Ring Set | 1 | | | | KM-13008-7005 | |
| 13025 | | | Piston Ring Set, L ,0.5 | 1 | | | | KM-13025-7009 | |
| 13029 | | | Engine Piston, L, 0.5 | 1 | | | | KM-13029-7010 | |
| 13031 | | | Complete Crankshaft | 1 | | | | KM-13031-0747 | |
| 13031 A | | | Complete Crankshaft | 1 | | | | KM-13031-0747 | |
| 13251 | | | Connecting Rod Assembly | 1 | | | | KM-13251-7025 | |
| 92033 | | | Snap Ring | 1 | | | | KM-92033-7018 | |
| 92151 | | | Bolt, 6 X 35 | 1 | | | | KM-92151-7017 | |

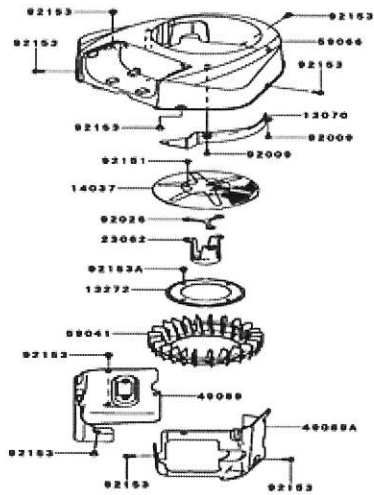
Kawasaki FR691V-AS17 Cylinder/Crankcase



更新日：2023-01-16 印刷日付：2023-03-31

| 表示番号 | 新宮品番 | LV | 部品名称 | 個数1 | 個数2 | 個数3 | 個数4 | メーカ品番 | 備考 |
|------------|------|----|------------------------------|-----|-----|-----|-----|---------------|----|
| 11004 | | | Head Gasket | 1 | | | | KM-11004-7026 | |
| 11008 | | | Complete Cylinder Head, #1 | 1 | | | | KM-11008-7039 | |
| 11008 A | | | Complete Cylinder Head, #2 | 1 | | | | KM-11008-7040 | |
| 11022 | | | Rocker Case, #1 | 1 | | | | KM-11022-0710 | |
| 11022 A | | | Rocker Case, #2 | 1 | | | | KM-11022-7020 | |
| 11061 | | | Rocker Case Gasket | 1 | | | | KM-11061-7083 | |
| 11061 A | | | Breather Gasket | 1 | | | | KM-11061-7094 | |
| 13272 | | | Breather Plate | 1 | | | | KM-13272-1374 | |
| 14091 | | | Breather Cover | 1 | | | | KM-14091-7064 | |
| 16126 | | | Breather Valve | 1 | | | | KM-16126-7020 | |
| 32154 | | | Pipe | 1 | | | | KM-32154-7019 | |
| 32155 | | | Breather Pipe | 1 | | | | KM-32155-7003 | |
| 49015 | | | Crankcase Cover | 1 | | | | KM-49015-7106 | |
| 49120 | | | Complete Crankcase | 1 | | | | KM-49120-0733 | |
| 59071 | | | Joint | 1 | | | | KM-59071-7025 | |
| 92004 | | | Stud, 8x30 | 1 | | | | KM-92004-7024 | |
| 92043 | | | Pin | 1 | | | | KM-92043-1263 | |
| 92049 | | | Oil Seal, RVC 26 x 11 x 10.2 | 1 | | | | KM-92049-7001 | |
| 92049 A | | | Oil Seal, SO 8 x 14 x 5 HS | 1 | | | | KM-92049-7019 | |
| 92049 B | | | Oil Seal, SD 35 x 48 x 8 RHS | 1 | | | | KM-92049-7010 | |
| 92049 C | | | Oil Seal, 8 x 14 x 5 HS | 1 | | | | KM-92049-7019 | |
| 92049 D | | | Oil Seal, 38 x 62 x 8 MTCLV | 1 | | | | KM-92049-7028 | |
| 92066 | | | Plug | 1 | | | | KM-92066-7023 | |
| 92066 A | | | Plug | 1 | | | | KM-92066-7026 | |
| 92104 | | | Gasket, TB1217H | 1 | | | | KM-92104-7001 | |
| 92153 | | | Bolt, 6 x 12 | 1 | | | | KM-92153-7043 | |
| 92153 A | | | Bolt, 8 x 50 | 1 | | | | KM-92153-7054 | |
| 130 | | | Flanged Bolt, 6 x 25 | 1 | | | | KM-130AA0625 | |
| 130A | | | Flanged Bolt, 10 x 50 | 1 | | | | KM-130CA1050 | |
| 130B | | | Flanged Bolt, 10 x 65 | 1 | | | | KM-130CA1065 | |
| 214 | | | Pan Screw +/-, 4 x 8 | 1 | | | | KM-214AA0408 | |
| 670 | | | O-Ring, 11mm | 1 | | | | KM-670B2011 | |

Kawasaki FR691V-AS17 Cooling Equipment

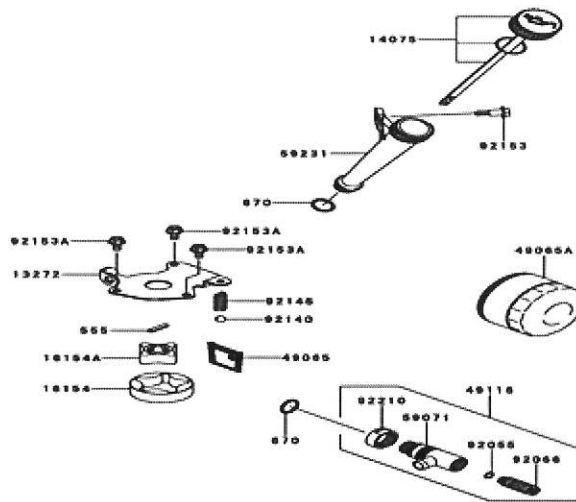


| Ref. | Part Number | Description |
|--------|-----------------|-------------------|
| 13070 | KM-13070-7019 | Cooling Air Guide |
| 13272 | KM-13272-7006 | Fan Plate |
| 14037 | KM-14037-70089H | Screen |
| 23062 | KM-23062-7022 | Complete Bracket |
| 49089 | KM-49089-7079 | Engine Shroud |
| 49089A | KM-49089-7080 | Engine Shroud |
| 59041 | KM-59041-7014 | Fan |
| 59066 | KM-59066-7052 | Fan Housing |
| 92009 | KM-92009-2303 | Screw |
| 92026 | KM-92026-7007 | Spacer |
| 92151 | KM-92151-7012 | Bolt, 6 X 12 |
| 92153 | KM-92153-7007 | Bolt |
| 92153A | KM-92153-7043 | Bolt, 6 X 12 |

更新日：2023-01-16 印刷日付：2023-03-31

| 表示 番号 | 新宮品番 | LV | 部品名称 | 個数1 | 個数2 | 個数3 | 個数4 | メーカー品番 | 備考 |
|------------|------|----|-------------------|-----|-----|-----|-----|-----------------|----|
| 13070 | | | Cooling Air Guide | 1 | | | | KM-13070-7019 | |
| 13272 | | | Fan Plate | 1 | | | | KM-13272-7006 | |
| 14037 | | | Screen | 1 | | | | KM-14037-70089H | |
| 23062 | | | Complete Bracket | 1 | | | | KM-23062-7022 | |
| 49089 | | | Engine Shroud | 1 | | | | KM-49089-7079 | |
| 49089 A | | | Engine Shroud | 1 | | | | KM-49089-7080 | |
| 59041 | | | Fan | 1 | | | | KM-59041-7014 | |
| 59066 | | | Fan Housing | 1 | | | | KM-59066-7052 | |
| 92009 | | | Screw | 1 | | | | KM-92009-2303 | |
| 92026 | | | Spacer | 1 | | | | KM-92026-7007 | |
| 92151 | | | Bolt, 6 X 12 | 1 | | | | KM-92151-7012 | |
| 92153 | | | Bolt | 1 | | | | KM-92153-7007 | |
| 92153 A | | | Bolt, 6 X 12 | 1 | | | | KM-92153-7043 | |

Kawasaki FR691V-AS17 Lubrication Equipment



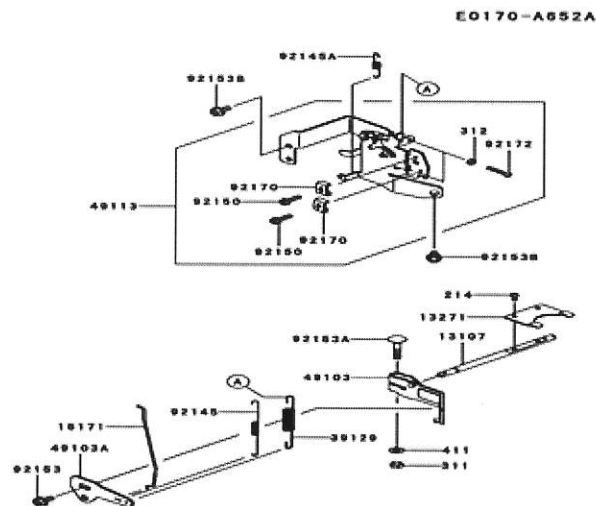
| Ref. | Part Number | Description |
|--------|---------------|------------------------|
| 13272 | KM-13272-7011 | Rotor Plate |
| 14075 | KM-14075-7013 | Oil Gauge Cap Assembly |
| 16154 | KM-16154-7010 | Outer Pump Rotor |
| 16154A | KM-16154-7011 | Inner Pump Rotor |
| 49065 | KM-49065-7006 | Oil Filter |
| 49065A | KM-49065-7007 | Oil Filter |
| 49116 | KM-49116-7001 | Valve Assembly |
| 59071 | KM-59071-7008 | Joint |
| 59231 | KM-59231-0712 | Filler |

| Ref. | Part Number | Description |
|--------|---------------|--------------------|
| 92055 | KM-92055-7002 | O-Ring, 6MM |
| 92066 | KM-92066-7007 | Plug |
| 92140 | KM-92140-7003 | Ball |
| 92145 | KM-92145-7002 | Spring |
| 92153 | KM-92153-7008 | Bolt |
| 92153A | KM-92153-7043 | Bolt, 6 X 12 |
| 92210 | KM-92210-7012 | Nut, M22 |
| 555 | KM-555A0420 | Spring Pin, 4 X 20 |
| 670 | KM-670D2016 | O-Ring, 16mm |

更新日：2023-01-16 印刷日付：2023-03-31

| 表示 番号 | 新宮品番 | LV | 部品名称 | 個数1 | 個数2 | 個数3 | 個数4 | メ-カ品番 | 備考 |
|------------|------|----|------------------------|-----|-----|-----|-----|---------------|----|
| 13272 | | | Rotor Plate | 1 | | | | KM-13272-7011 | |
| 14075 | | | Oil Gauge Cap Assembly | 1 | | | | KM-14075-7013 | |
| 16154 | | | Outer Pump Rotor | 1 | | | | KM-16154-7010 | |
| 16154 A | | | Inner Pump Rotor | 1 | | | | KM-16154-7011 | |
| 49065 | | | Oil Filter | 1 | | | | KM-49065-7006 | |
| 49065 A | | | Oil Filter | 1 | | | | KM-49065-7007 | |
| 49116 | | | Valve Assembly | 1 | | | | KM-49116-7001 | |
| 59071 | | | Joint | 1 | | | | KM-59071-7008 | |
| 59231 | | | Filler | 1 | | | | KM-59231-0712 | |
| 92055 | | | O-Ring, 6MM | 1 | | | | KM-92055-7002 | |
| 92066 | | | Plug | 1 | | | | KM-92066-7007 | |
| 92140 | | | Ball | 1 | | | | KM-92140-7003 | |
| 92145 | | | Spring | 1 | | | | KM-92145-7002 | |
| 92153 | | | Bolt | 1 | | | | KM-92153-7008 | |
| 92153 A | | | Bolt, 6 X 12 | 1 | | | | KM-92153-7043 | |
| 92210 | | | Nut, M22 | 1 | | | | KM-92210-7012 | |
| 555 | | | Spring Pin, 4 X 20 | 1 | | | | KM-555A0420 | |
| 670 | | | O-Ring, 16mm | 1 | | | | KM-670D2016 | |

Kawasaki FR691V-AS17 Control Equipment

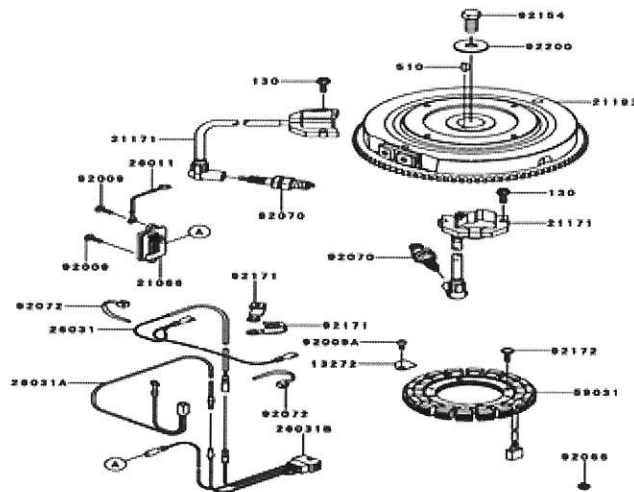


| Ref. | Part Number | Description | Ref. | Part Number | Description |
|--------|---------------|------------------------|--------|---------------|---------------------|
| 13107 | KM-13107-7047 | Shaft | 92153 | KM-92153-0009 | Bolt, 6 X 12 |
| 13271 | KM-13271-7038 | Plate | 92153A | KM-92153-7033 | Bolt, 6 X 35 |
| 16171 | KM-16171-7022 | Link | 92153B | KM-92153-7043 | Bolt, 6 X 12 |
| 39129 | KM-39129-7035 | Governor Spring | 92170 | KM-92170-7001 | Clamp |
| 49103 | KM-49103-7014 | Governor Arm | 92172 | KM-92172-0792 | Screw, 5 X 35 |
| 49103A | KM-49103-7015 | Governor Arm | 214 | KM-214AA0408 | Pan Screw +-, 4 X 8 |
| 49113 | KM-49113-0727 | Complete Control Panel | 311 | KM-311AA0600 | Hex Nut, 6mm |
| 92145 | KM-92145-7057 | Spring | 312 | KM-312AA0500 | Hex Nut, 5mm |
| 92145A | KM-92145-7058 | Spring | 411 | KM-411AA0600 | Plain Washer, 6mm |
| 92150 | KM-92150-2182 | Bolt, 5 X 18 | | | |

更新日：2023-01-16 印刷日付：2023-03-31

| 表示 番号 | 新宮品番 | LV | 部品名称 | 個数1 | 個数2 | 個数3 | 個数4 | メ-カ品番 | 備考 |
|------------|------|----|------------------------|-----|-----|-----|-----|---------------|----|
| 13107 | | | Shaft | 1 | | | | KM-13107-7047 | |
| 13271 | | | Plate | 1 | | | | KM-13271-7038 | |
| 16171 | | | Link | 1 | | | | KM-16171-7022 | |
| 39129 | | | Governor Spring | 1 | | | | KM-39129-7035 | |
| 49103 | | | Governor Arm | 1 | | | | KM-49103-7014 | |
| 49103 A | | | Governor Arm | 1 | | | | KM-49103-7015 | |
| 49113 | | | Complete Control Panel | 1 | | | | KM-49113-0727 | |
| 92145 | | | Spring | 1 | | | | KM-92145-7057 | |
| 92145 A | | | Spring | 1 | | | | KM-92145-7058 | |
| 92150 | | | Bolt, 5 X 18 | 1 | | | | KM-92150-2182 | |
| 92153 | | | Bolt, 6 X 12 | 1 | | | | KM-92153-0009 | |
| 92153 A | | | Bolt, 6 X 35 | 1 | | | | KM-92153-7033 | |
| 92153 B | | | Bolt, 6 X 12 | 1 | | | | KM-92153-7043 | |
| 92170 | | | Clamp | 1 | | | | KM-92170-7001 | |
| 92172 | | | Screw, 5 X 35 | 1 | | | | KM-92172-0792 | |
| 214 | | | Pan Screw +-, 4 X 8 | 1 | | | | KM-214AA0408 | |
| 311 | | | Hex Nut, 6mm | 1 | | | | KM-311AA0600 | |
| 312 | | | Hex Nut, 5mm | 1 | | | | KM-312AA0500 | |
| 411 | | | Plain Washer, 6mm | 1 | | | | KM-411AA0600 | |

Kawasaki FR691V-AS17 Electric Equipment



| Ref. | Part Number | Description |
|--------|---------------|------------------------|
| 13272 | KM-13272-7012 | Plate |
| 21066 | KM-21066-7017 | Voltage Regulator |
| 21171 | KM-21171-0711 | Ignition Coil Assembly |
| 21193 | KM-21193-7038 | Flywheel Assembly |
| 26011 | KM-26011-7025 | Lead Wire, L = 95 |
| 26031 | KM-26031-7040 | Harness |
| 26031A | KM-26031-7041 | Harness |
| 26031B | KM-26031-1625 | Harness |
| 59031 | KM-59031-7017 | Charging Coil |
| 92009 | KM-92009-2303 | Screw |

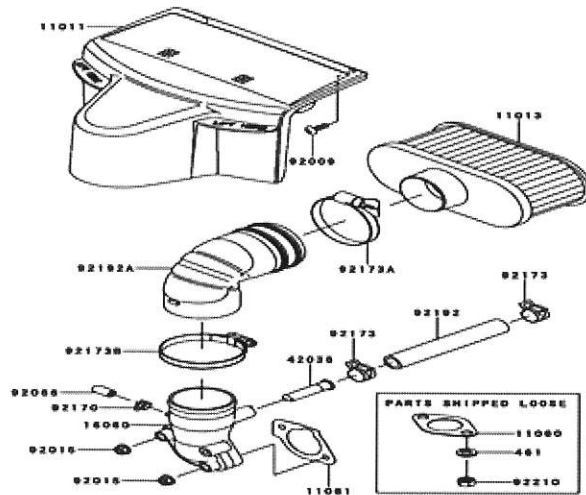
| Ref. | Part Number | Description |
|--------|---------------|----------------------|
| 92009A | KM-92009-2308 | Screw |
| 92066 | KM-92066-7026 | Plug |
| 92070 | KM-BPR4ES | Spark Plug |
| 92072 | KM-92072-7003 | Band |
| 92154 | KM-92154-7003 | Bolt, 12 X 30 |
| 92171 | KM-92171-7008 | Clamp |
| 92172 | KM-92172-7018 | Screw, 5 X 20 |
| 92200 | KM-92200-7002 | Washer |
| 130 | KM-130AA0620 | Flanged Bolt, 6 X 20 |
| 510 | KM-510A5100 | Woodruff Key |

更新日 : 2023-01-16 印刷日付 : 2023-03-31

| 表示 番号 | 新宮品番 | LV | 部品名称 | 個数1 | 個数2 | 個数3 | 個数4 | メ-カ品番 | 備考 |
|------------|------|----|------------------------|-----|-----|-----|-----|---------------|----|
| 13272 | | | Plate | 1 | | | | KM-13272-7012 | |
| 21066 | | | Voltage Regulator | 1 | | | | KM-21066-7017 | |
| 21171 | | | Ignition Coil Assembly | 1 | | | | KM-21171-0711 | |
| 21193 | | | Flywheel Assembly | 1 | | | | KM-21193-7038 | |
| 26011 | | | Lead Wire, L = 95 | 1 | | | | KM-26011-7025 | |
| 26031 | | | Harness | 1 | | | | KM-26031-7040 | |
| 26031 A | | | Harness | 1 | | | | KM-26031-7041 | |
| 26031 B | | | Harness | 1 | | | | KM-26031-1625 | |
| 59031 | | | Charging Coil | 1 | | | | KM-59031-7017 | |
| 92009 | | | Screw | 1 | | | | KM-92009-2303 | |
| 92009 A | | | Screw | 1 | | | | KM-92009-2308 | |
| 92066 | | | Plug | 1 | | | | KM-92066-7026 | |
| 92070 | | | Spark Plug | 1 | | | | KM-BPR4ES | |
| 92072 | | | Band | 1 | | | | KM-92072-7003 | |
| 92154 | | | Bolt, 12 X 30 | 1 | | | | KM-92154-7003 | |
| 92171 | | | Clamp | 1 | | | | KM-92171-7008 | |
| 92172 | | | Screw, 5 X 20 | 1 | | | | KM-92172-7018 | |
| 92200 | | | Washer | 1 | | | | KM-92200-7002 | |
| 130 | | | Flanged Bolt, 6 X 20 | 1 | | | | KM-130AA0620 | |
| 510 | | | Woodruff Key | 1 | | | | KM-510A5100 | |

更新日：2015-06-18 印刷日付：2023-03-31

Kawasaki FR691V-AS17 Air Filter/Muffler



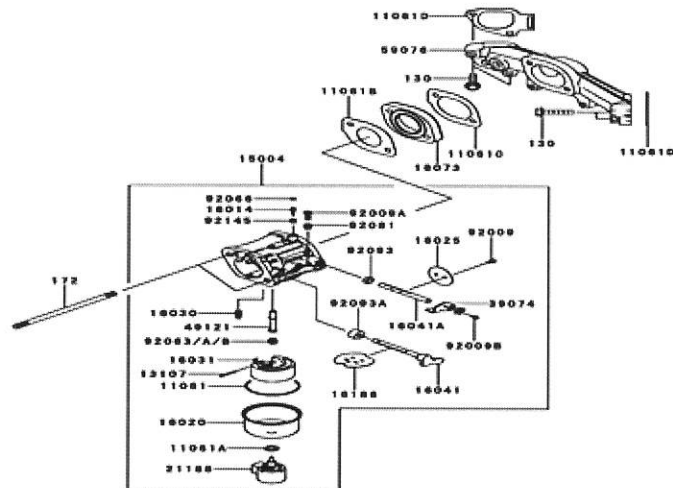
| Ref. | Part Number | Description |
|-------|---------------|-------------------------------|
| 11011 | KM-11011-7065 | Air Filter Case |
| 11013 | KM-99999-0384 | Air Filter Element |
| 11060 | KM-11060-7016 | Muffler Gasket |
| 11061 | KM-11061-7086 | Carburetor/Pipe Intake Gasket |
| 16060 | KM-16060-7038 | Intake Pipe |
| 42036 | KM-42036-7022 | Breather Sleeve |
| 92009 | KM-92009-2303 | Screw |
| 92015 | KM-92015-1367 | Nut |
| 92066 | KM-92066-0095 | Plug |

| Ref. | Part Number | Description |
|--------|---------------|-------------------------|
| 92170 | KM-92170-2042 | Clamp |
| 92173 | KM-92173-7003 | Clamp |
| 92173A | KM-92173-1001 | Clamp |
| 92173B | KM-92173-1001 | Clamp |
| 92192 | KM-92192-7146 | Tube, 12.6 X 18.6 X 118 |
| 92192A | KM-92192-7165 | Air Filter Tube |
| 92210 | KM-92210-7027 | Nut, M8 |
| 461 | KM-461DA0800 | Spring Washer, 8mm |

更新日：2023-01-16 印刷日付：2023-03-31

| 表示 番号 | 新宮品番 | LV | 部品名称 | 個数1 | 個数2 | 個数3 | 個数4 | メーカ品番 | 備考 |
|------------|------|----|-------------------------------|-----|-----|-----|-----|---------------|----|
| 11011 | | | Air Filter Case | 1 | | | | KM-11011-7065 | |
| 11013 | | | Air Filter Element | 1 | | | | KM-99999-0384 | |
| 11060 | | | Muffler Gasket | 1 | | | | KM-11060-7016 | |
| 11061 | | | Carburetor/Pipe Intake Gasket | 1 | | | | KM-11061-7086 | |
| 16060 | | | Intake Pipe | 1 | | | | KM-16060-7038 | |
| 42036 | | | Breather Sleeve | 1 | | | | KM-42036-7022 | |
| 92009 | | | Screw | 1 | | | | KM-92009-2303 | |
| 92015 | | | Nut | 1 | | | | KM-92015-1367 | |
| 92066 | | | Plug | 1 | | | | KM-92066-0095 | |
| 92170 | | | Clamp | 1 | | | | KM-92170-2042 | |
| 92173 | | | Clamp | 1 | | | | KM-92173-7003 | |
| 92173 A | | | Clamp | 1 | | | | KM-92173-1001 | |
| 92173 B | | | Clamp | 1 | | | | KM-92173-1001 | |
| 92192 | | | Tube, 12.6 X 18.6 X 118 | 1 | | | | KM-92192-7146 | |
| 92192 A | | | Air Filter Tube | 1 | | | | KM-92192-7165 | |
| 92210 | | | Nut, M8 | 1 | | | | KM-92210-7027 | |
| 461 | | | Spring Washer, 8mm | 1 | | | | KM-461DA0800 | |

Kawasaki FR691V-AS17 Carburetor



| Ref. | Part Number | Description |
|--------|---------------|---------------------------|
| 11061 | KM-11061-7009 | Chamber Gasket |
| 11061A | KM-11061-7010 | Screw Gasket |
| 11061B | KM-11061-7087 | Insulator Gasket |
| 11061C | KM-11061-7088 | Insulator/Manifold Gasket |
| 11061D | KM-11061-7093 | Manifold Gasket |
| 13107 | KM-13107-7018 | Shaft |
| 15004 | KM-15004-0829 | Carburetor Assembly |
| 16014 | KM-16014-7010 | Pilot Air Screw |
| 16020 | KM-16020-7003 | Float Chamber |
| 16025 | KM-16025-7017 | Throttle Valve |
| 16030 | KM-16030-7003 | Float Valve |
| 16031 | KM-16031-7002 | Float |
| 16041 | KM-16041-0007 | Choke Carburetor Shaft |
| 16041A | KM-16041-7051 | Throttle Carburetor Shaft |
| 16073 | KM-16073-7013 | Insulator |
| 16186 | KM-16186-7006 | Choke Valve Assembly |
| 21188 | KM-21188-7002 | Solenoid |

| Ref. | Part Number | Description |
|--------|---------------|-------------------------|
| 39074 | KM-39074-7001 | Throttle Lever Assembly |
| 49121 | KM-49121-7018 | Main Nozzle |
| 59076 | KM-59076-7019 | Intake Manifold |
| 92009 | KM-92009-2083 | Screw |
| 92009A | KM-92009-2349 | Screw |
| 92009B | KM-92009-2402 | Screw |
| 92063 | KM-92063-7141 | Main Jet, #122 |
| 92063A | KM-92063-7142 | Main Jet, #124 |
| 92063B | KM-92063-7149 | Main Jet, #120 |
| 92066 | KM-92066-7032 | Plug |
| 92081 | KM-92081-2234 | Spring |
| 92093 | KM-92093-2100 | Seal |
| 92093A | KM-92093-7003 | Seal |
| 92145 | KM-92145-2122 | Spring |
| 130 | KM-130AA0630 | Flanged Bolt, 6 X 30 |
| 172 | KM-1728A06115 | Stud Bolt, 6 X 115 |

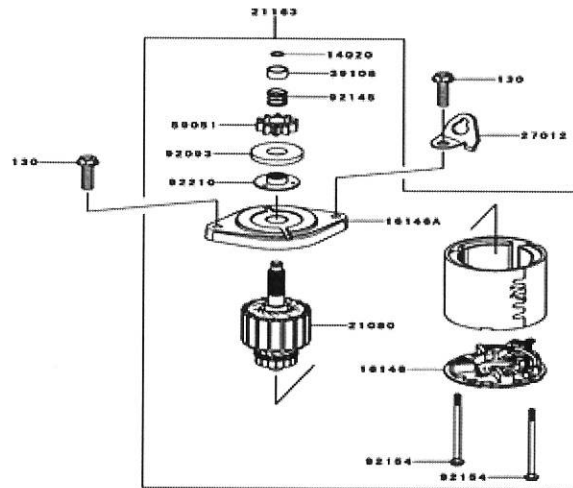
更新日：2023-01-16 印刷日付：2023-03-31

| 表示 番号 | 新宮品番 | LV | 部品名称 | 個数1 | 個数2 | 個数3 | 個数4 | メ-カ品番 | 備考 |
|------------|------|----|---------------------------|-----|-----|-----|-----|---------------|----|
| 11061 | | | Chamber Gasket | 1 | | | | KM-11061-7009 | |
| 11061 A | | | Screw Gasket | 1 | | | | KM-11061-7010 | |
| 11061 B | | | Insulator Gasket | 1 | | | | KM-11061-7087 | |
| 11061 C | | | Insulator/Manifold Gasket | 1 | | | | KM-11061-7088 | |
| 11061 D | | | Manifold Gasket | 1 | | | | KM-11061-7093 | |
| 13107 | | | Shaft | 1 | | | | KM-13107-7018 | |
| 15004 | | | Carburetor Assembly | 1 | | | | KM-15004-0829 | |
| 16014 | | | Pilot Air Screw | 1 | | | | KM-16014-7010 | |
| 16020 | | | Float Chamber | 1 | | | | KM-16020-7003 | |
| 16025 | | | Throttle Valve | 1 | | | | KM-16025-7017 | |
| 16030 | | | Float Valve | 1 | | | | KM-16030-7003 | |
| 16031 | | | Float | 1 | | | | KM-16031-7002 | |
| 16041 | | | Choke Carburetor Shaft | 1 | | | | KM-16041-0007 | |
| 16041 A | | | Throttle Carburetor Shaft | 1 | | | | KM-16041-7051 | |
| 16073 | | | Insulator | 1 | | | | KM-16073-7013 | |
| 16186 | | | Choke Valve Assembly | 1 | | | | KM-16186-7006 | |
| 21188 | | | Solenoid | 1 | | | | KM-21188-7002 | |
| 39074 | | | Throttle Lever Assembly | 1 | | | | KM-39074-7001 | |
| 49121 | | | Main Nozzle | 1 | | | | KM-49121-7018 | |
| 59076 | | | Intake Manifold | 1 | | | | KM-59076-7019 | |
| 92009 | | | Screw | 1 | | | | KM-92009-2083 | |
| 92009 A | | | Screw | 1 | | | | KM-92009-2349 | |
| 92009 B | | | Screw | 1 | | | | KM-92009-2402 | |
| 92063 | | | Main Jet, #122 | 1 | | | | KM-92063-7141 | |
| 92063 A | | | Main Jet, #124 | 1 | | | | KM-92063-7142 | |
| 92063 B | | | Main Jet, #120 | 1 | | | | KM-92063-7149 | |
| 92066 | | | Plug | 1 | | | | KM-92066-7032 | |
| 92081 | | | Spring | 1 | | | | KM-92081-2234 | |
| 92093 | | | Seal | 1 | | | | KM-92093-2100 | |
| 92093 A | | | Seal | 1 | | | | KM-92093-7003 | |
| 92145 | | | Spring | 1 | | | | KM-92145-2122 | |

更新日：2023-01-16 印刷日付：2023-03-31

| 表示 番号 | 新宮品番 | LV | 部品名称 | 個数1 | 個数2 | 個数3 | 個数4 | メーカー品番 | 備考 |
|----------|------|----|----------------------|-----|-----|-----|-----|---------------|----|
| 130 | | | Flanged Bolt, 6 X 30 | 1 | | | | KM-130AA0630 | |
| 172 | | | Stud Bolt, 6 X 115 | 1 | | | | KM-172BA06115 | |

Kawasaki FR691V-AS17 Starter

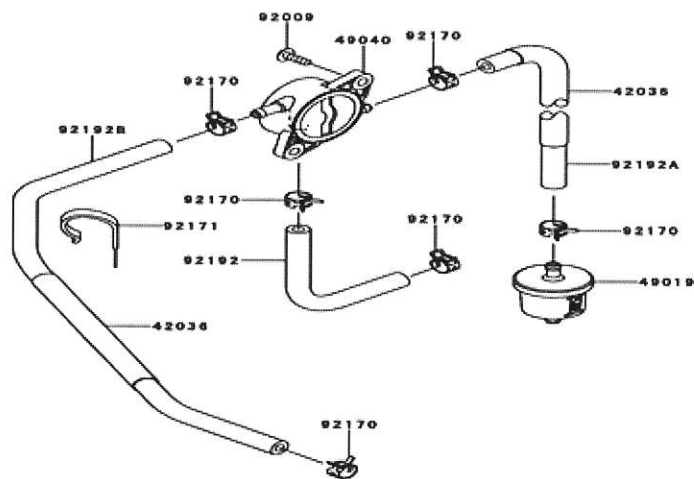


| Ref. | Part Number | Description |
|--------|---------------|----------------------|
| 14020 | KM-14020-7002 | Retainer |
| 16146 | KM-16146-7027 | Cover Assembly |
| 16146A | KM-16146-7030 | Cover Assembly |
| 21080 | KM-21080-0003 | Armature |
| 21163 | KM-21163-0727 | Electric Starter |
| 27012 | KM-27012-7008 | Hook |
| 39108 | KM-39108-0552 | Spring Retainer |
| 59051 | KM-59051-7034 | Spur Gear |
| 92093 | KM-92093-7007 | Seal |
| 92145 | KM-92145-7060 | Spring |
| 92154 | KM-92154-7001 | Bolt |
| 92210 | KM-92210-7017 | Nut |
| 130 | KM-130AA0840 | Flanged Bolt, 8 X 40 |

更新日：2023-01-16 印刷日付：2023-03-31

| 表示 番号 | 新宮品番 | LV | 部品名称 | 個数1 | 個数2 | 個数3 | 個数4 | メ-カ品番 | 備考 |
|------------|------|----|----------------------|-----|-----|-----|-----|---------------|----|
| 14020 | | | Retainer | 1 | | | | KM-14020-7002 | |
| 16146 | | | Cover Assembly | 1 | | | | KM-16146-7027 | |
| 16146 A | | | Cover Assembly | 1 | | | | KM-16146-7030 | |
| 21080 | | | Armature | 1 | | | | KM-21080-0003 | |
| 21163 | | | Electric Starter | 1 | | | | KM-21163-0727 | |
| 27012 | | | Hook | 1 | | | | KM-27012-7008 | |
| 39108 | | | Spring Retainer | 1 | | | | KM-39108-0552 | |
| 59051 | | | Spur Gear | 1 | | | | KM-59051-7034 | |
| 92093 | | | Seal | 1 | | | | KM-92093-7007 | |
| 92145 | | | Spring | 1 | | | | KM-92145-7060 | |
| 92154 | | | Bolt | 1 | | | | KM-92154-7001 | |
| 92210 | | | Nut | 1 | | | | KM-92210-7017 | |
| 130 | | | Flanged Bolt, 8 X 40 | 1 | | | | KM-130AA0840 | |

Kawasaki FR691V-AS17 Fuel Tank/Fuel Valve



| Ref. | Part Number | Description |
|--------|---------------|-------------------------|
| 42036 | KM-42036-7015 | Sleeve |
| 49019 | KM-49019-0014 | Fuel Filter |
| 49040 | KM-49040-7008 | Fuel Pump |
| 92009 | KM-92009-2303 | Screw |
| 92170 | KM-92170-2009 | Clamp |
| 92171 | KM-92171-7005 | Clamp |
| 92192 | KM-92192-7148 | Tube, 6.4 X 12.7 X 150 |
| 92192A | KM-92192-7172 | Tube, 6.35 X 12.7 X 185 |
| 92192B | KM-92192-7188 | Tube, 6.35 X 12.7 X 390 |

更新日：2023-01-16 印刷日付：2023-03-31

| 表示 番号 | 新宮品番 | LV | 部品名称 | 個数1 | 個数2 | 個数3 | 個数4 | メーカー品番 | 備考 |
|------------|------|----|-------------------------|-----|-----|-----|-----|---------------|----|
| 42036 | | | Sleeve | 1 | | | | KM-42036-7015 | |
| 49019 | | | Fuel Filter | 1 | | | | KM-49019-0014 | |
| 49040 | | | Fuel Pump | 1 | | | | KM-49040-7008 | |
| 92009 | | | Screw | 1 | | | | KM-92009-2303 | |
| 92170 | | | Clamp | 1 | | | | KM-92170-2009 | |
| 92171 | | | Clamp | 1 | | | | KM-92171-7005 | |
| 92192 | | | Tube, 6.4 X 12.7 X 150 | 1 | | | | KM-92192-7148 | |
| 92192 A | | | Tube, 6.35 X 12.7 X 185 | 1 | | | | KM-92192-7172 | |
| 92192 B | | | Tube, 6.35 X 12.7 X 390 | 1 | | | | KM-92192-7188 | |

Kawasaki FR691V-AS17 Engine Labels



| Ref. | Part Number | Description |
|-------|---------------|---------------|
| 56033 | KM-56033-7001 | Manual Label |
| 56071 | KM-56071-0216 | Warning Label |
| 56080 | KM-56080-0815 | Brand Label |

更新日：2023-01-16 印刷日付：2023-03-31

| 表示 番号 | 新宮品番 | LV | 部品名称 | 個数1 | 個数2 | 個数3 | 個数4 | メーカー品番 | 備考 |
|----------|------|----|---------------|-----|-----|-----|-----|---------------|----|
| 56033 | | | Manual Label | 1 | | | | KM-56033-7001 | |
| 56071 | | | Warning Label | 1 | | | | KM-56071-0216 | |
| 56080 | | | Brand Label | 1 | | | | KM-56080-0815 | |