

SIN0293N >> Billy Goat DL1301HEU

更新日：2015-05-15 印刷日付：2023-03-29



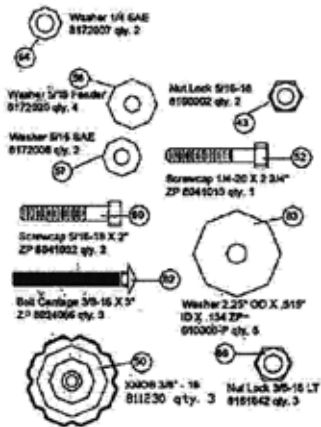
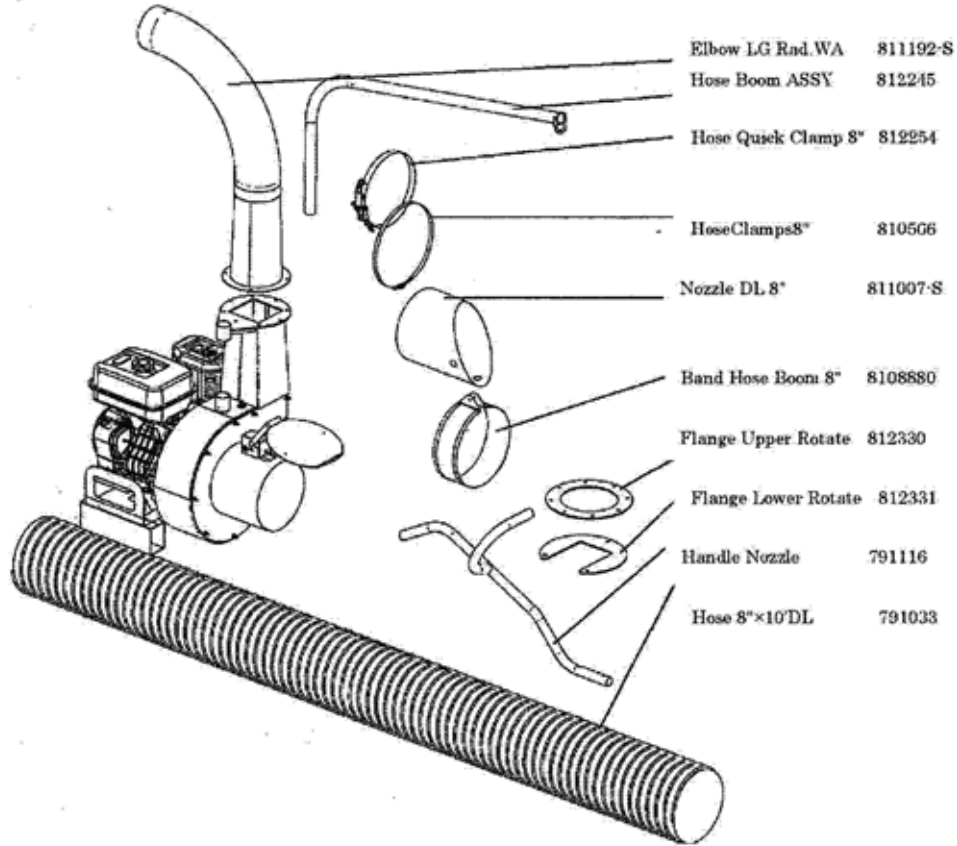
トラック搭載式

バキュームスイーパー

DL1801V



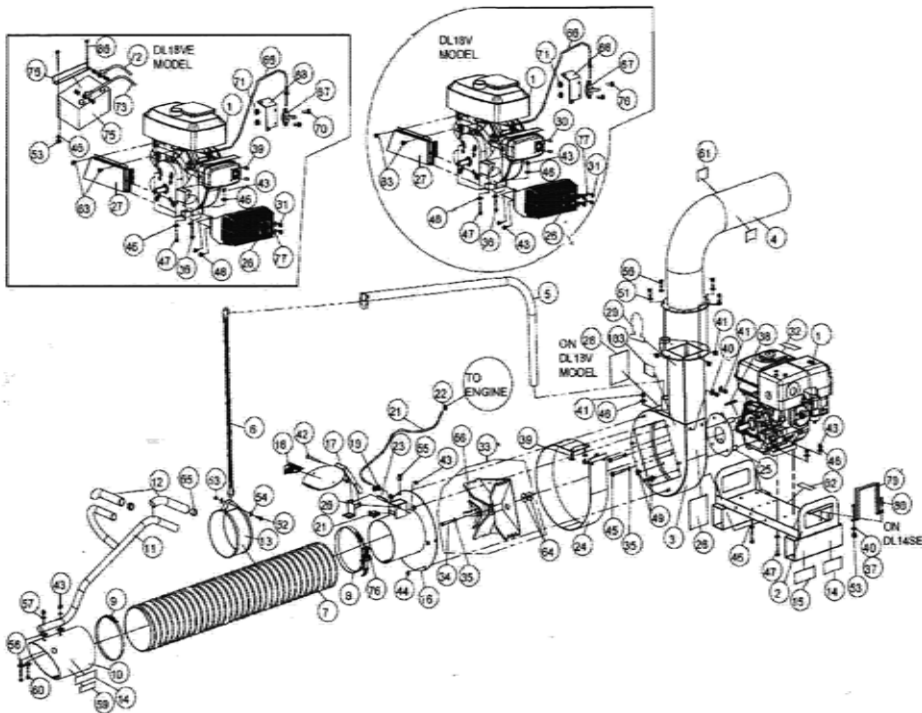
DL1301HEU



Chain Hose Hand DL
791117 Qty. 1



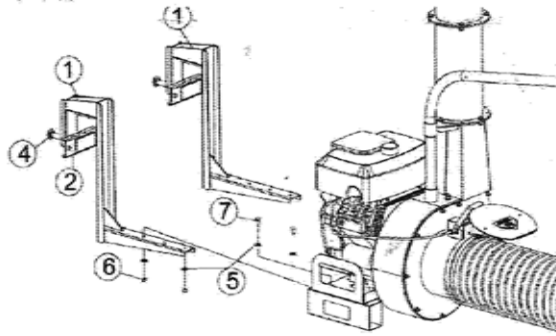
表示 番号	新宮品番	LV	部品名称	個数1	個数2	個数3	個数4	メ-カ品番	備考
6			CHAIN HOSE HANG DL	1				791117	
43			NUT LOCK 5/16-18	2				8160002	
50			KNOB 3/8-16	3				811230	
52			SCREWCAP 1/4-20X2 3/4"	1				8041013	
54			WASHER 1/4 SAE	2				8172007	
56			WASHER FENDER 5/16	4				8172020	
57			WASHER 5/16 SAE	2				8172008	
60			SCREWCAP 5/16-18X2"	2				8041032	
66			NUT LOCK 3/8-16LT	3				8161042	
82			BOLL CANTIAGE 3/8-16X3"	3				8024066	
83			WASHER 2.25"ODX5.15"IDX134 ZP	3				810308-P	



表示 番号	新宮品番	LV	部品名称	個数1	個数2	個数3	個数4	メーカー品番	備考
1			ENGINE HONDA	1				430366	
2			BASE ENGINE WA	1				812100-S	
3			HOUSING WA DL 12/13 W/LABELS	1				812216-S	
4			ELBOW ASSY 7"DL	1				812248-S	
5			BOOM WA DL	1				812245	
6			CHAIN HOSE HANG DL	1				791117	
7			HOSE 8"X10"	1				811244	
8			CLAMP QUICK RELEASE 8"	1				812254	
9			CLAMP HOSE 8"	1				810566	
10			NOZZLE 8"STEEL FORMED W/LABELS	1				811007-S	
11			HANDLE NOZZLE WA DEBRIS LOADER	1				791116	
12			GRIP 1 1/4 LD X 9.5 LONG	2				440146	
13			BAND HOSE BOOM 8"FORMED	1				810880	
14			LABEL WARNING ENGINE OVERHEAT	2				811215	
15			LABEL SPARK ARRESTOR	1				100252	
16			PLATE FRONT WA DL 8"	1				812104-S	
17			FLAPPER WA 8"W/LABELS	1				812230-S	
18			LABEL WARNING OPEI	1				400424	
19			STRAIN RELIEF HEYCO 1244	1				500282	
20			LEVER HOSE SWITCH	1				791068	
21			SWITCH AND HARNESS DL ASSY	1				791130	
22			CONNECTOR TAP IN SQUEEZE	1				810673	
23			SPACER 3/8"X 2 1/2"	1				900503	
24			LINER DL 12/13	1				812221	
25			PLATE ENGINE MOUNT DL 12/13	1				812235	
28			LABEL DL INSTRUCTIONWARNING	1				790142	
29			LABEL LOGO DL 12/13/18	1				812213	
33			IMPELLER ASSY (ITEM 66 NOT INCLUDED)	1				812257-S	
34			SCREWCAP 3/8"-24X2 3/4"GR 8.W-PATCH	1				790167	
35			WASHER LOCK 3/8"	5				8177012	
38			KEY 1/4 SQX2 3/4"	1				9201125	
39			BOLT CARRI GE 3/8-16X1"ZP	4				8024058	
40			WASHER 3/8 FLAT CUT	4				8171004	
41			NUT LOCK 3/8-16 HEX ZP	8				8160003	
42			BOLT CARRI GE 5/16"-18X3 1/2"ZP	1				8024050	
43			NUT LOCK 5/16-18 HEX ZP	7				8160002	
44			NUT FLANGE 5/16-18 HEX ZP	6				350346	
45			SCREWCAP 3/8-16X3"HCS ZP	4				8041058	
46			WASHER 5/16 FLAT ZP	8				8171003	

表示 番号	新宮品番	LV	部品名称	個数1	個数2	個数3	個数4	メーカー品番	備考
47			SCREWCAP 5/16-18X1 3/4"HCS ZP	4				8041031	
49			HEX WASHER FACEBOLT 3/8-16X3/4	3				791080	
50			SCREWCAP 3/8-16X1"HCS ZP	4				8041050	
51			WASHER 3/8 SAE	8				8172009	
52			SCREWCAP 1/4"-20X2 3/4"HCS ZP	1				8041013	
53			NUT LOCK 1/4-20 HEX ZP	1				8160001	
54			WASHER 1/4-20 HEX ZP	2				8172007	
55			CLAMP HOSE FUEL LINE	2				791070	
56			WASHER FENDER 5/16	4				8172020	
57			WASHER 5/16 SAE	2				8172008	
59			LABEL SECURE NOZZLE	1				790301	
60			SCREWCAP 5/16"-18X2"	2				8041032	
61			LABEL FLYING DEBRIS	2				810736	
62			WARNING SECURE	1				790232	
64			SPACER 1"IDX2"ODX0.265 THK	2				830113	
65			PLUG TUBE INSERT 1.25 OD	2				791056	
66			DEBRIS REDUCER DL 12/13/18	1				812283	
76			PIN SAFETY	1				800365	
103			LABEL MADE IN U.S.A	1				520116	

ハンガーブラケット部



Item No.	Part No.	Description	Qty
1	812261	HANGER WA DL12/13/18	2
2	612262	HANGER CLAMP WA DL 12/13/18	2
3	8659138	SCREW MACHINE #10-24 X 1" HWF ZP	2
4	812268	BOLT CARRIAGE 3/4-10 X 6"	2
5	440227	WASHER 1.00" OD X 0.380 SQ HOLE	8
6	6160003	NUT LOCK 3/8"-16 HEX	4
7	8024058	BOLT CARRIAGE 3/8"-16 X 1" ZP	4
8	8155867	NUT LOCK #10-24 HEX	2

表示 番号	新宮品番	LV	部品名称	個数1	個数2	個数3	個数4	メーカー品番	備考
1			HANGER WA DL 12/13/18	2				812261	
2			HANGER CLAMP WA DL 12/13/18	2				812262	
3			SCREW MACHINE #10-24 X 1"HWF ZP	2				8059138	
4			BOLT CARRIAGE 3/4-10 X 6"	2				812268	
5			WASHER 1.00" OD X 0.380 SQ HOLE	8				440227	
6			NUT LOCK 3/8"-16 HEX	4				8160003	
7			BOLT CARRIAGE 3/8"-16 HEX	4				8024058	
8			NUT LOCK #10-24 HEX	2				8155007	